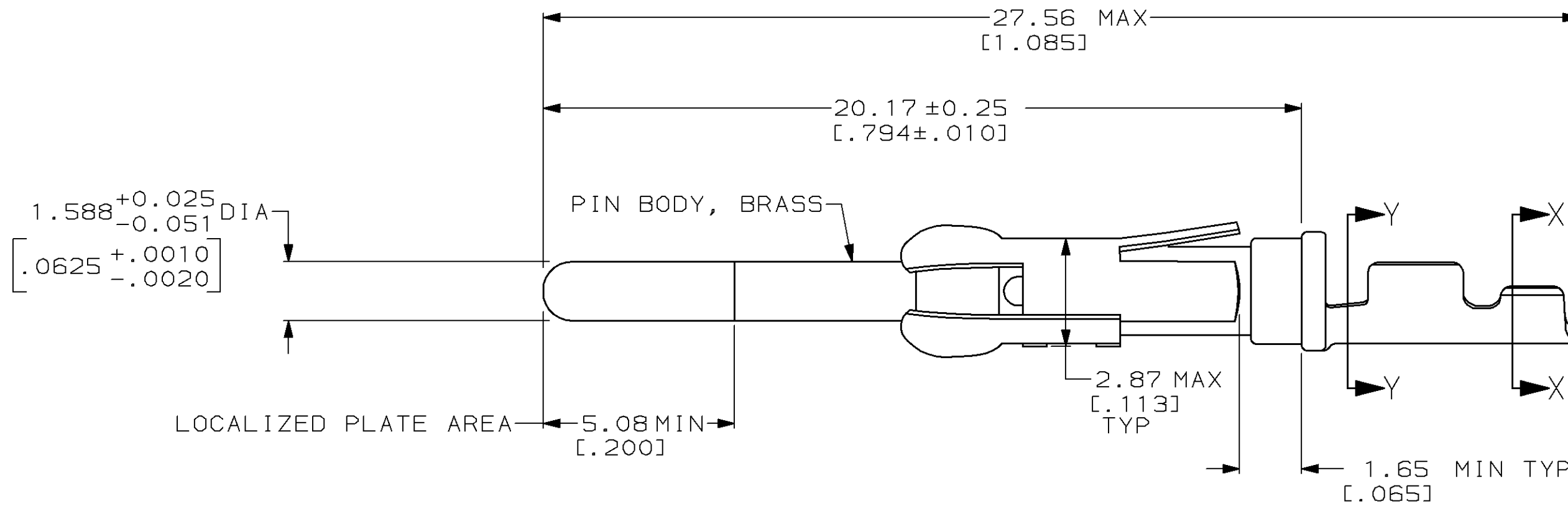
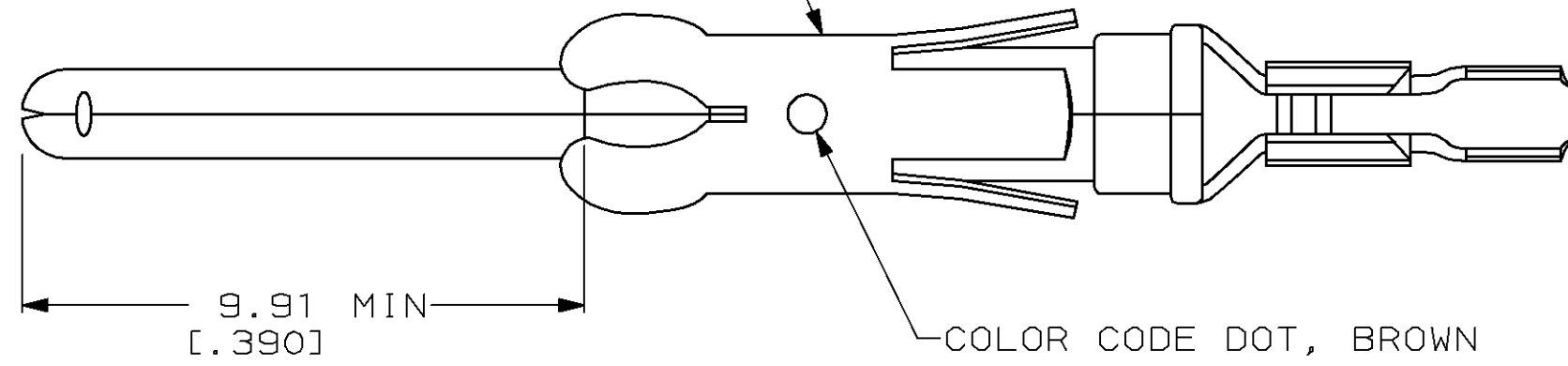
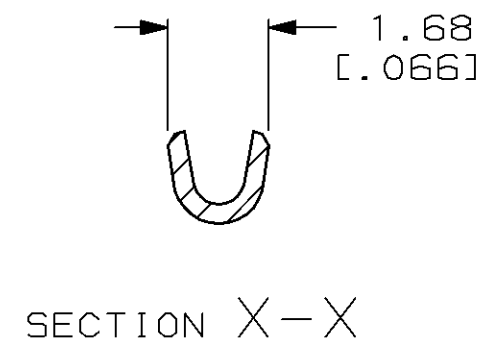
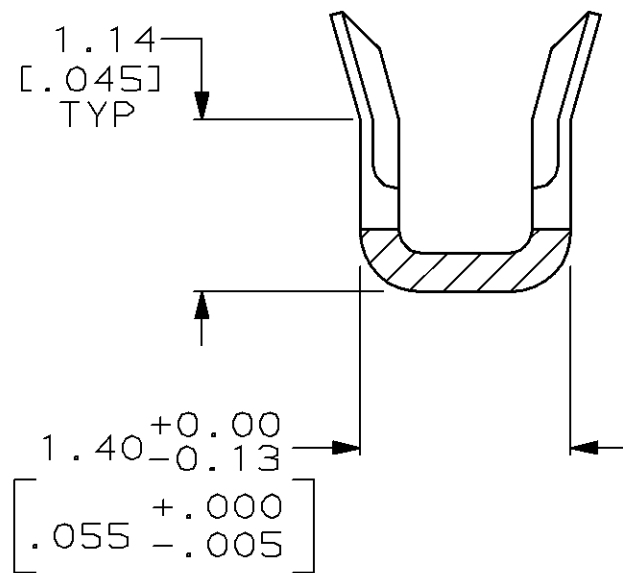


LOC	DIST	P	F	REVISIONS				
				ZONE	LTR	DESCRIPTION	DATE	APPD
FT	47				K	REV & REDRAWN PER ECN BD3865	9-27-90	AB
					L	REV PER ECN BD6295	06/05/92	GS
					M	REV PER EC 0020-745-94	07/06/94	GS
					N	REV PER EC 0320-133-97	7-24-97	PB

SPRING, STAINLESS STEEL



- 1 0.76µm [.000030] MIN GOLD IN LOCALIZED PLATE AREA, 0.25µm [.000010] MIN GOLD ON THE REMAINDER ALL OVER 1.27µm [.000050] MIN NICKEL.
- 2 0.76µm [.000030] MIN GOLD IN LOCALIZED PLATE AREA, GOLD FLASH ON THE REMAINDER ALL OVER 1.27µm [.000050] NICKEL.
- 3. WIRE RANGE 26-30 AWG.
- 4. INSULATION RANGE 0.36 [.014] - 0.76 [.030] DIA.



	2	66393-3	66406-4
	1	66393-1	66406-1
FINISH		STRIP P/N REF	PART NO

DO NOT SCALE PRINT. UNLESS SPECIFIED DIMENSIONS IN mm [INCHES] TOLERANCES ON: 2 PLC DEC ± 0.13 [.005] 3 PLC DEC ± - ANGLES ± -	DR 9-27-90 H MOLL	<b>AMP</b> AMP Incorporated Harrisburg, PA 17105-3608	
	CHK 12-15-90 J. MCCLINTON		
MATERIAL SEE CALL OUT	APPD 12-10-90 A. BOULLIANNE	NAME PIN ASSEMBLY, LOOSE PIECE, TYPE III+	
FINISH PIN BODY: SEE TABLE	APPD 12-10-90 A. BOULLIANNE	SIZE C	CAGE CODE 00779
	APPLICATION SPEC -	DRAWING NO 66406	
	WEIGHT -	SCALE 8:1	SHEET 1 OF 1